

Hi-Flo Jet Nozzles



Features

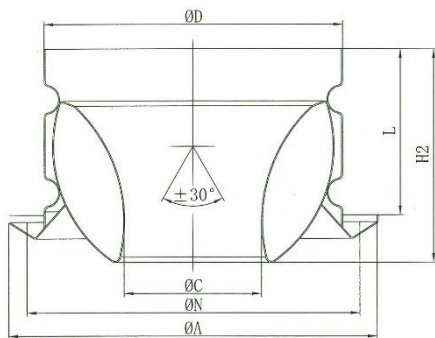
- Aluminium alloy construction.
- Long flow characteristics.
- High air handling capacity.
- Eyeball type core rotation.
- Easy to install and adjust.
- Multiplier outlet arrangement.

Finish

- Aluminium alloy construction.
- Standard finish is white baked enamel. Special colour finishes or special anodize finish are available.

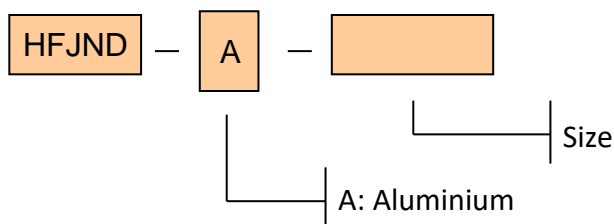
Model HFJN jet nozzles are designed to handle high air flow & provide relatively long throws which makes them particularly suitable for conditioning of large spaces such as halls, auditorium, terminal buildings, warehouses and shopping mall.

Dimension



Size	ΦA	ΦC	ΦD	H2	L
100	140	45	98	80	63
125	170	61	123	100	70
160	200	75	158	115	85
200	266	105	197	143	109
250	315	128	248	180	135
315	395	165	313	230	173
400	495	210	398	285	217

Order Code



Performance Data

Size	Throw Distance						Terminal Velocity m/s
	10m		20m		30m		
	Flow l/s	LWNC NC	Flow l/s	LWNC NC	Flow l/s	LWNC NC	
100	-	--	26	23	39	35	0.25
125	-	-	34	22	50	30	
160	23	<20	46	<20	69	28	
200	29	<20	61	<20	85	20	
250	37	<20	76	<20	106	<20	
315	50	<20	98	<20	150	<20	
400	65	<20	129	<20	195	<20	
100	26	23	52	45	-	-	0.5
125	34	22	68	40	-	-	
160	46	<20	92	37	138	49	
200	61	<20	121	31	182	44	
250	76	<20	152	26	229	39	
315	98	<20	195	20	293	32	
400	129	<20	258	<20	387	26	
100	52	45	-	-	-	-	1.0
125	68	40	-	-	-	-	
160	92	37	-	-	-	-	
200	121	31	242	-	-	-	
250	152	26	305	47	-	-	
315	195	20	390	41	585	-	
400	258	<20	516	35	773	47	

LWNC is noise criteria rating of sound power level spectrum